

Certain specification(s) are based on engineering calculations and are not actual measurements. Specification(s) are provided for comparison purposes only and are subject to change without notice. Specification(s) for your individual Develon equipment will vary based on normal variations in design, manufacturing, operating conditions, and other factors. Pictures of Develon units may show other than standard equipment

Powered by Innovation

develon-ce.com

HDIPBE-01-2311

©2023 HD Hyundai Infracore. All rights reserved.



DEVELON

DEVELON

Excavators

DX220(LC)A-2M



Photos may include optional equipment

POWERFUL PRODUCTIVITY JUST RIGHT FOR YOUR PROPER NEEDS

DX220(LC)A-2M makes the best productivity at all job sites. Superior engine power delivers tireless force and cleverly optimizes it. With peerless workload and increased digging force, DX220(LC)A-2M fully unfolds its unrivaled performance at the point of extreme need.



*Option spec info is included to the images contained in this material and may not be the same with the actual specs

INTRODUCING DX220(LC)A-2M

All the nice features of previous model bodily succeeded, even nicer things to come.

DEVELON DB58TIS ENGINE

- DX220(LC)A-2M runs on DEVELON DB58TIS engines, one of the most widely-used engines.
- DB58TIS engine has already gained recognition in the market for reliability, low fuel consumption and easy maintenance with quality that has been validated.

NEW 8-INCH TOUCH MONITOR

- Bigger LCD monitor with user-friendly touch screen panel.
- Allowing easy access to machine settings and controlling all the data with simple touch.

*Option spec info is included to the images contained in this material and may not be the same with the actual specs.



FUEL FILLER PUMP

- The fuel filler pump is applied as a standard to all types. It will be an essential feature which gives you a chance to decrease the downtime.

QUALITY-PROVEN, RELIABLE FRAMES

DX220(LC)A-2M is built with the frames and hydraulic systems that are proven to be high quality over a long period of time.

Count on us for all of your works. Main/bottom frames, undercarriage, swing bearing, sprocket roller, boom and arm are designed for a high degree of durability that you can rely on.

HEAVY-DUTY FRONT

DX220(LC)A-2M is composed of reinforced castings, forged steel pivot points, reinforced heavy-duty arm, and boom to withstand high-impact materials.

- To better protect the base of the arm, reinforced bars have been added and the arm center and end boss have been strengthened.

Travel device, swing device and center joint are also verified for their high quality.



Travel Device



Swing Device

BEST IN CLASS EFFICIENCY

Experience all-time best, with 14% improved fuel efficiency.

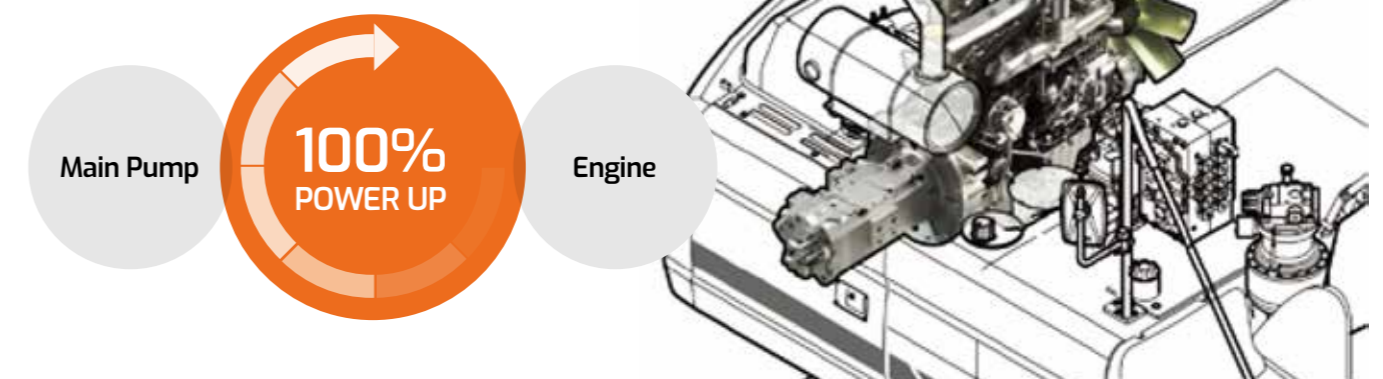
POWER MODE

Potential fuel consumption is significantly reduced compared to permanently maintaining the same mode while providing powerful strength. Controlling this technology is intuitive and straightforward. A simple switch allows you to flick easily between modes.



PUMP MATCHING TECHNOLOGY

Engine & pump matching, the new technology of DEVELON, fully resolves problems; low response time of the system, unnecessary fuel consumption. Matching response time between pump and engine efficiently reduces unnecessary fuel consumption as well as exhaust fumes.



ENHANCED COMFORT AND CONVENIENCE

DX220(LC)A-2M comes with options that you wanted for a long time. You can easily find the perfect level of comfort whenever you count on it. Experience another version of the comfort that you have never had.



NEW 8-INCH MONITOR

Bigger LCD monitor with user-friendly touch screen panel, allowing easy access to machine settings and maintenance data.

CONTROL LEVER

Precise control increases safety and make tricky operations requiring great precision possible. Simplifying operations makes movement of lifted load safe and calm.

CABIN LED LAMP(OPTIONAL)

LED lamp option is newly added to cabin lamp item. 1,500 lumen LED lights provide much brighter and wider view.

FRONT SLIDING DOOR

The previously fixed front door changed into an openable form. The new model is advantageous for ventilation and temperature control if the front window opens.

SEAT

The quality of the seat is now improved and you can tell the differences easily. Operator can feel more comfortable even with long time operation.

FUEL FILLER PUMP

The fuel filler pump is applied as a standard to all types and it will decrease the downtime in the long run.

*Above image may differ from actual product.

BREAKER SYSTEM CUSTOMIZED TO YOUR BUSINESS

DIFFERENT TYPES OF PERFORMANCE TESTINGS, ENSURING BEST BREAKER PERFORMANCE

- Performance testing of breaker carried out at actual job sites currently being operated in all regions.
- Throughout these testing, DX220(LC)A-2M comes with a breaker that is more solid and powerful than before.
- The customers who took part in these testing were "very satisfied" with the performances of all equipments.



BREAKER PACKAGE(OPTIONAL)

- All you need to do is to just select this breaker option.
- DX220(LC)A-2M is installed with a pedal tailored for breaker and a joystick with breaker-only button.
 - On top of this, the breaker return line uses its own filter that will extend the life of hydraulic components during breaker operations.
 - All of these features are available to you to conduct a crushing operation as effectively as you would hope.



PRIDE OF DEVELON, MAINTENANCE

DEVELON's maintenance service program is at your side and this whole new DX220(LC)A-2M is also part of it. Trust DEVELON.

SIMPLE MECHANICAL ENGINE

- In-house mechanical engine with approachable structure.
- Engine bonnet equipped with wide open side panel.

EASY ACCESS TO DAILY MAINTENANCE POINTS

Wide open panels allowing easy access to service points - Allowing quick replacement filters and daily maintenance check easier. Easily accessible filter located at ground level - Located at ground level with wide open side doors.

DEVELON FLEET MANAGEMENT (TMS SYSTEM)

- Maintenance data is directly available from control panel.
- Allows daily maintenance check easier.



1. PRE-CLEANER

A rotor type of pre-cleaner in DX220(LC)A-2M filters out particles larger than 20 microns with over 99 % accuracy and attached as a standard option.

3. HYDRAULIC OIL RETURN FILTER

Glass fiber filter technology filters out up to 99.5 % of impurities, and increases oil change interval.

2. WATER SEPARATOR

Highly efficient water separator in fuel to prevent engine damage by removing moisture. Reducing the risk of external engine contamination and lengthen the engine's lifespan.

4. EASY MAINTENANCE ON RADIATORS

Approach to various radiator is easy, making cleaning easier. Engine part accessibility is also enhanced, can be checked through via top and side panels.

DEVELON FLEET MANAGEMENT

Telematics Service (OPTIONAL)

TELECOMMUNICATIONS Data flow from machine to web



TELEMATICS TERMINAL

Terminal device is installed and connected to a machine to get machine data.

TELECOMMUNICATION

DEVELON provides Dual mode (Cellular, Satellite) communication to maximize communication coverage

DEVELON FM WEB

User can monitor machine status from DEVELON FM Web

TELEMATICS SERVICE BENEFITS DEVELON and dealer support customers to improve work efficiency with timely and responsive services

CUSTOMER

Improve work efficiency

- Timely and preventive service
- Improve operator's skills by comparing work pattern
- Manage fleet more effectively

DEALER

Better service for customers

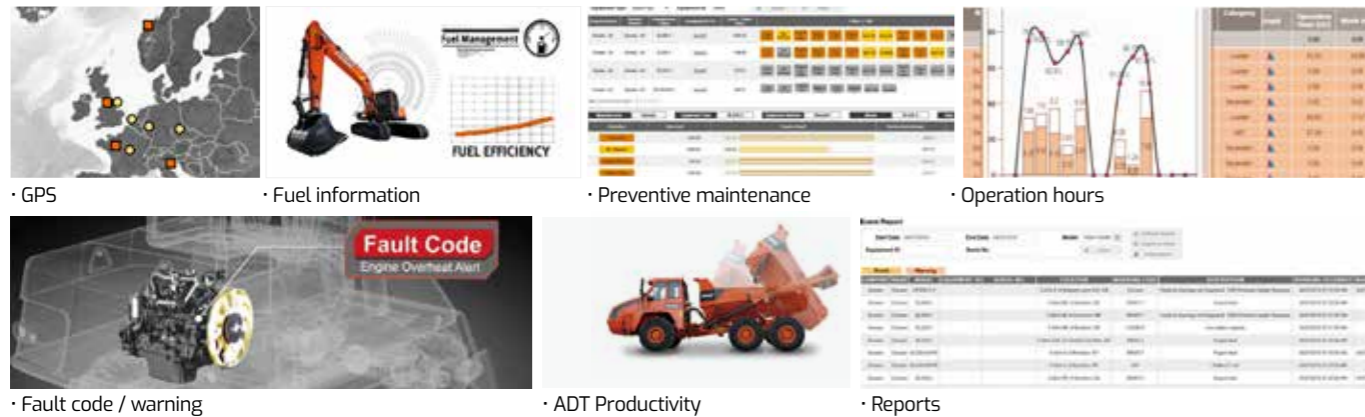
- Provide better quality of service
- Maintain machine value
- Better understanding of market needs

DEVELON

Responsive to customer's voice

- Utilize quality-related field data
- Apply customer's usage profile to develop new machine

FUNCTIONS (WEB/APP) DEVELON Telematics Service provides various functions to support your great performance



FUNCTION	EXCAVATOR	WHEEL LOADER	ADT
GPS	All models	All models	All models
Operation hours	All models	All models	All models
Maintenance parts	All models	All models	All models
Fault code / Warning	All models	All models	All models
Fuel information	All models	All models	All models
Dump capacity	N/A	N/A	All models

GLOBAL PARTS NETWORK

QUALITY-PROVEN MAIN COMPONENTS

DEVELON provides fast and precise worldwide delivery of genuine DEVELON parts through its global PDC (parts distribution center) network.

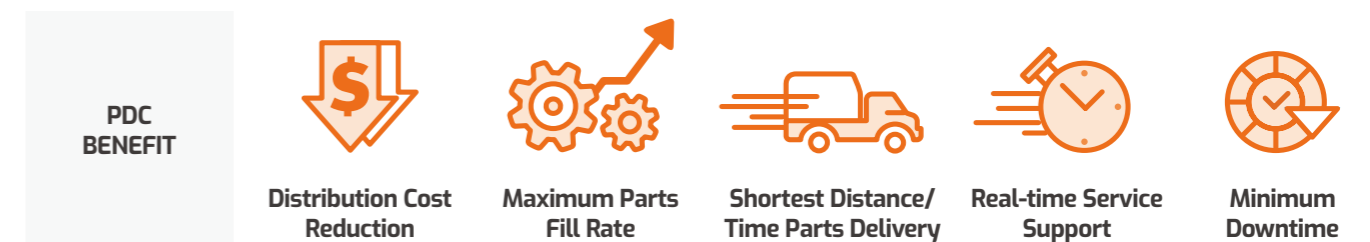


GLOBAL NETWORK

The global network of the GPDC (Global Parts Distribution Center) maximizes its fill rate by making sure that each center is stockpiled with all the critical parts required for businesses in its area. The network also minimizes the time and costs required for parts delivery by positioning PDCs close to major markets around the world. DEVELON PDCs communicate with customers in their time zone, informing them that they are open for operation, and deliver parts to them as early as possible.

THE GLOBAL PARTS DISTRIBUTION CENTER NETWORK

PDCs had been set up as shown below, including Mother PDC in Ansan, Korea. The nine other PDCs include one in China (Yantai), three in USA (Atlanta, Seattle and Miami), two in Europe (Germany and the UK), one in the Middle East (Dubai) and two in Asia (Singapore and Indonesia).



TECHNICAL SPECIFICATIONS

ENGINE

Model	DEVELON DB58TIS
Type	2 valves per cylinder, vertical injectors, water cooled, turbo charged with air to air intercooler. The emission levels are well below the values required for TIER II .
Number of cylinders	6
Rated horse power	113 kW (154 PS) @ 1,800 rpm (SAE J1995, Gross) 109 kW (148 PS) @ 1,800 rpm (SAE J1349, Net)
Max torque	66 kgf.m @ 1,400 rpm
Piston displacement	5,785 cc
Bore & stroke	Ø 102 x 118 mm
Starting motor	24 V x 4.5 kW
Batteries	24 V(12 V x 2 /100 AH)
Air cleaner	Double element

WEIGHT

5.7 m Heavy Duty Boom, 2.9 m Heavy Duty Arm, 0.92 m³ Bucket, 3.8 Ton Counterweight

Shoe width (mm)	Ground pressure		Machine weight	
	LC Track (kgf/cm ²)	STD Track (kgf/cm ²)	Track (Ton)	STD Track (Ton)
600	0.45	0.49	21.3	20.8
800	0.35	0.38	22.0	21.4

BUCKET

LC Track, 3.8 Ton Counterweight, 600 mm Shoe

Bucket type	Capacity	Width		Weight (kg)	6.7 HD	
	SAE/PCSA	W/O cutter	With cutter		2.4m Arm	2.9m Arm (HD)
GP	0.92	1,316	1,379	871	A	A
	1.05	1,458	1,509	930	A	A
H Class	0.92	1,050	1,096	867	A	B
	1.08	1,200	1,246	939	B	C
	1.40	1,500	1,546	1,101	D	-
Maximum load pin-on (payload + bucket)					3,017	2,755

Based on ISO 10567 and SAE J296, arm length without quick change clamp
A : Suitable for materials with density of 2,100kg/m³ (3,500lb/cu.yd) or less
C : Suitable for materials with density of 1,500kg/m³ (2,500lb/cu.yd) or less
- : Not recommended

B : Suitable for materials with density of 1,800kg/m³ (3,000lb/cu.yd) or less
D : Suitable for materials with density of 1,200kg/m³ (2,000lb/cu.yd) or less

HYDRAULIC SYSTEM

Main pumps	Swash plate, Axial piston Max. Flow : 2 x 207 l/min Displacement : 115 x 2 cc/rev
Pilot pump	Gear pump - max flow : 27 l/min Pilot pump : 15 cc/rev
Main relief Pressure	Maximum system pressure : 350 kgf/cm ² Main system pressure : 350 kgf/cm ² Travel system pressure : 350 kgf/cm ² Swing system pressure : 270 kgf/cm ²

HYDRAULIC CYLINDERS

The piston rods and cylinder bodies are made of high-strength steel. A shock absorbing mechanism is fitted in all cylinders to ensure shock-free operation and extend piston life.

Cylinders	Quantity	Bore x Rod diameter x Stroke
Boom	2	120 X 85 X 1,263 mm
Arm	1	135 X 95 X 1,450 mm
Bucket	1	135 X 95 X 1,450 mm

UNDERCARRIAGE

Chassis are of very robust construction, all welded structures are designed to limit stresses. High-quality material used for durability. Lateral chassis welded and rigidly attached to the undercarriage. Track rollers lubricated for life, idlers and sprockets fitted with floating seals. Track shoes made of induction-hardened alloy with triple grousers. Heat-treated connecting pins. Hydraulic track adjuster with shock-absorbing tension mechanism.

Upper rollers - 2

Lower rollers - 8 for LC track, 7 for STD track

Track shoes - 49 for LC track, 45 for STD track

Overall track length - 4,445 mm for LC track, 4,065 mm for STD track

SWING MECHANISM

High-torque, axial piston motor with planetary reduction gear bathed in oil. Swing circle is single row, shear type ball bearing with induction-hardened internal gear. Internal gear and pinion gear immersed in lubricant.

Swing speed - 10.9 rpm

Swing Torque - 6.46 ton.m

DRIVE

Each track is driven by an independent, high-torque, axial piston motor through planetary reduction gear. Two levers or foot pedal control provide smooth travel or counter-rotation upon demand.

Travel speed (High / Low) - 3.01 / 5.56 km/h

Maximum traction force - 22.50 / 10.28 ton

Gradeability - 70%

REFILL CAPACITIES

Fuel tank - 620 l

Cooling system (radiator capacity) - 44.7 l

Engine oil - 31 l

Swing drive - 2 x 4 l

Final drive - 2 x 10 l

Hydraulic tank - 550 l

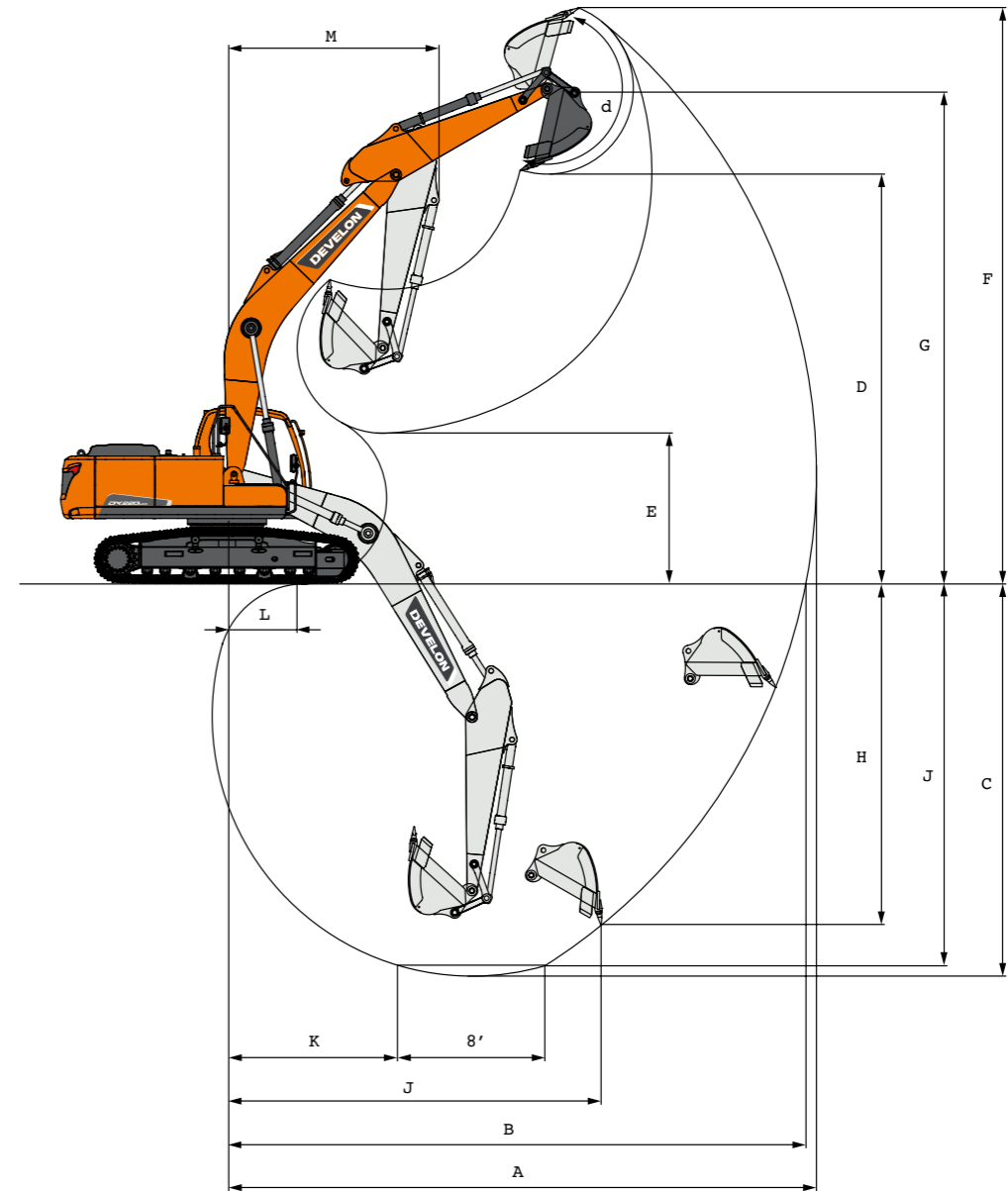
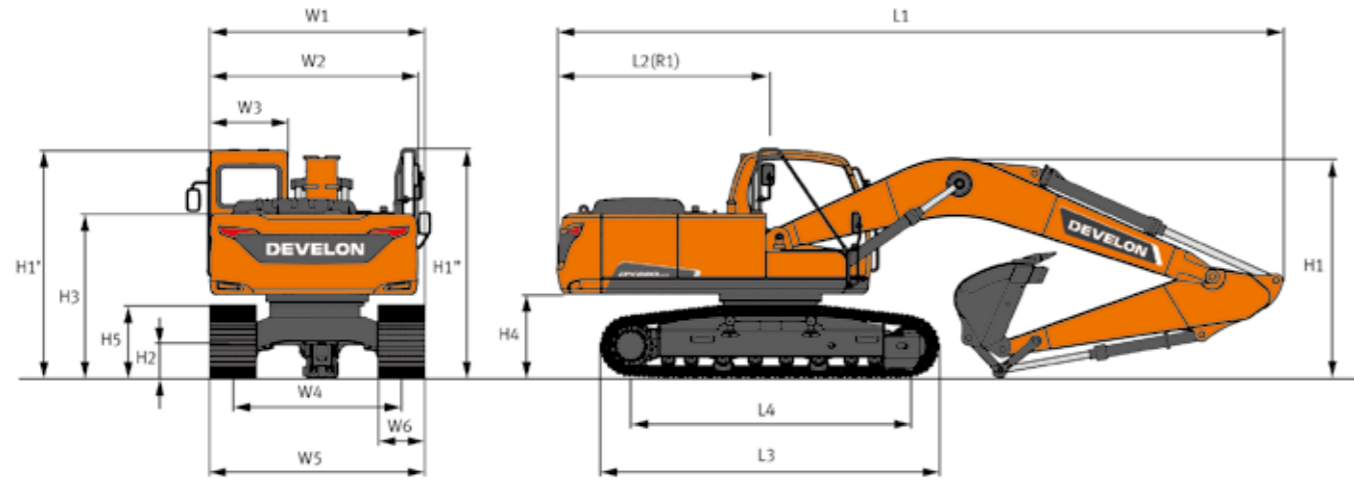
BUCKET DIGGING FORCES

Bucket Type	Capacity (m ³)	Width (mm)		Digging force (Ton)
	SAE/PCSA	With cutter	W/O cutter	
GP	0.92	1,316	1,367	(SAE) 12.6, (ISO) 14.0
	1.05	1,458	1,509	
H Class	0.92	1,050	1,096	(SAE) 12.6, (ISO) 14.
	1.08	1,200	1,246	
	1.40	1,500	1,546	

ARM DIGGING FORCES

Arm	Length (mm)	Weight (kg)	Digging Force (ton)
HD Arm	2,900	751	(SAE) 9.5, (ISO) 9.9
SHORT Arm	2,400	669	(SAE) 11.0, (ISO) 11.5

DIMENSIONS



STANDARD

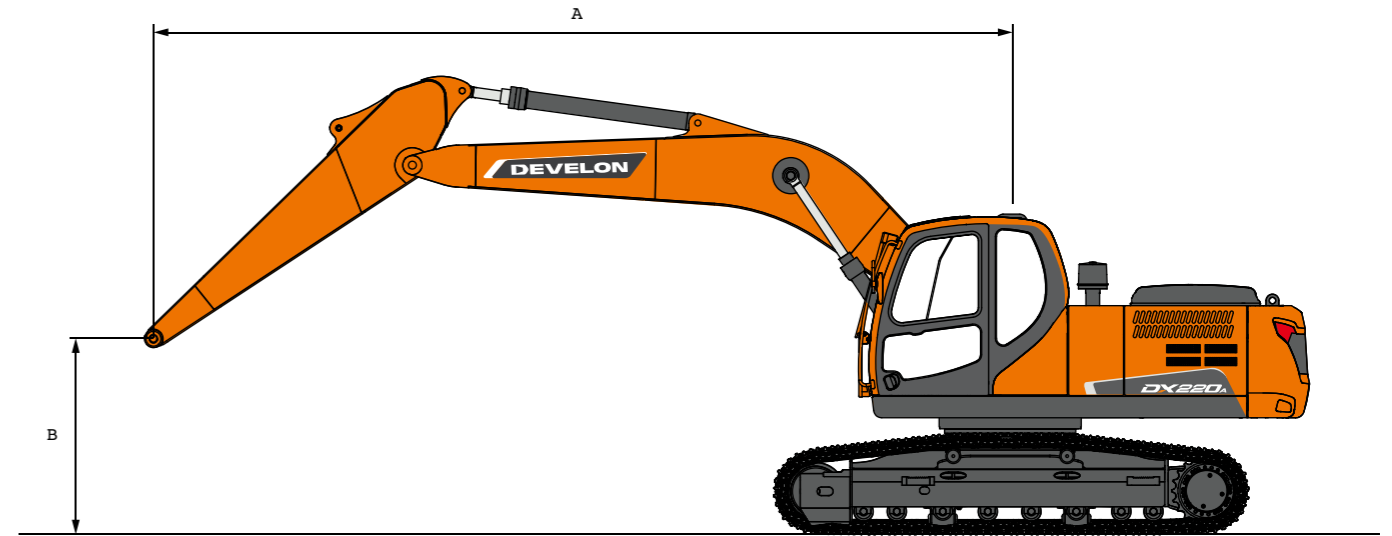
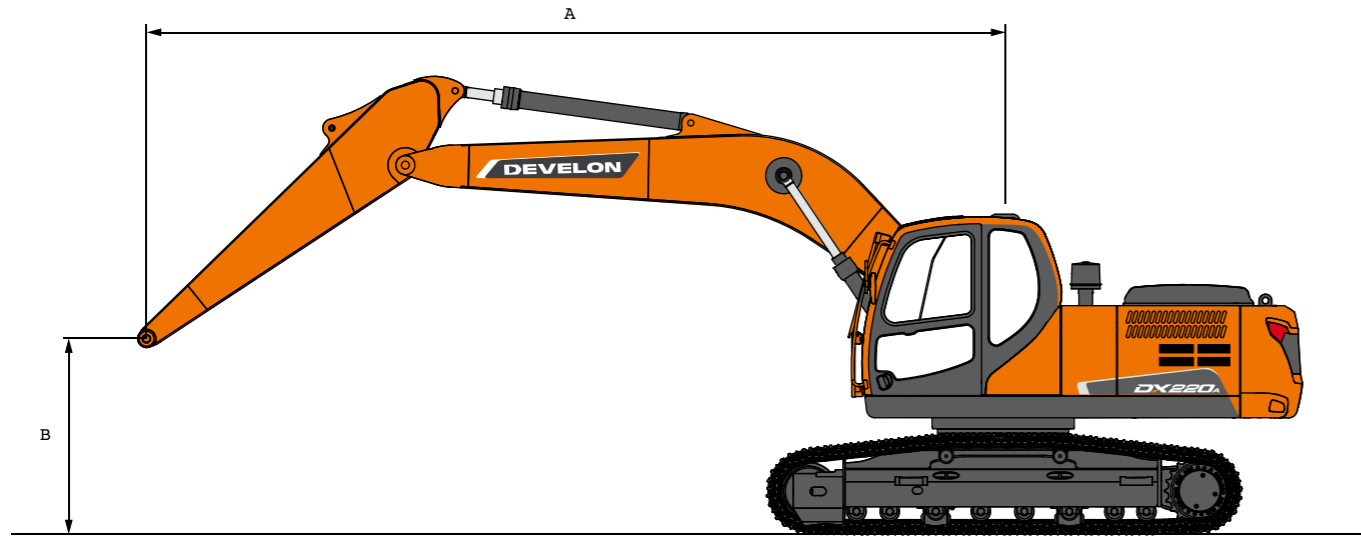
Boom type		(mm)		5,700	
Arm type		(mm)		2,900	2,400
Bucket type (SAE/PCSA)		(m ³)		0.92	1.05
Overall Length		(mm)	L1	9,505	9,545
Overall Height	Boom	(mm)	H1	2,860	2,960
	Hose	(mm)		3,005	3,125
	Cabin	(mm)		2,955	←
	Hand/Guard Rail	(mm)		2,990	←
Overall Width		(mm)	W1	2,990	←
Rear Swing Radius		(mm)	R1	2,840	←
Ground Clearance*		(mm)	H2	* 450.5	←
Rear End Distance		(mm)	L2	2,792	←
House Width		(mm)	W2	2,710	←
Cabin Width		(mm)	W3	1,010	←
Height Over Cover		(mm)	H3	2,113	←
Counterweight Clearance*		(mm)	H4	* 1,066	←
Track Height*		(mm)	H5	* 883	←
Track Length (LC Track)		(mm)	L3	4,445	←
Track Length (STD Track)		(mm)	L3	4,065	←
Tumbler Distance (LC Track)		(mm)	L4	3,650	←
Track Gauge		(mm)	W4	2,390	←
Undercarriage Width		(mm)	W5	2,990	←
Shoe Width		(mm)	W6	600	←
Grouser Height		(mm)		26	←

(NOTE) * : Without Track Shoe Grouser

WORKING RANGES

Boom type(One Piece)		(mm)		5,700	
Arm type		(mm)		2,900	2,400
Bucket type (SAE/PCSA)		(m ³)		0.92	1.05
Max. Digging Reach		(mm)	A	9,875	9,390
Max. Digging Reach (Ground)		(mm)	B	9,700	9,210
Max. Digging Depth		(mm)	C	6,595	6,095
Max. Loading Height		(mm)	D	6,840	6,690
Min. Loading Height		(mm)	E	2,500	2,995
Max. Digging Height		(mm)	F	9,625	9,495
Max. Bucket Pin Height		(mm)	G	8,280	8,130
Max. Vertical Wall Depth		(mm)	H	5,735	5,410
Max. Radius Vertical		(mm)	I	6,180	5,910
Max. Depth to 2,500mm Line		(mm)	J	6,410	5,860
Min. Radius 2,500mm Line		(mm)	K	2,860	2,790
Min. Digging Reach		(mm)	L	117	975
Min. Swing Radius		(mm)	M	3,555	3,575
Bucket Angle		(deg)	d	177	177

LIFTING CAPACITY



STANDARD

Metric

Boom : 5,700m (18'7") Arm : 2,900m (9'5") Shoe : 600 mm (2'0") Counterweight : 3,840kg (8,466 lb) STD track Unit : 1,000kg

A(m) \ B(m)	1.5		3		4.5		6		7.5		Max. Reach		A(m)
7.5							4.66*	4.61			4.05*	4.05*	6.20
6							4.81*	4.61			3.76*	3.25	7.31
4.5							5.27*	4.43	4.53	3.06	3.70*	2.73	7.99
3					7.72*	6.38	5.99*	4.17	4.41	2.95	3.71	2.46	8.35
1.5					9.15*	5.85	5.97	3.91	4.28	2.83	3.59	2.36	8.42
0			5.70*	5.70*	8.95	5.56	5.78	3.73	4.18	2.73	3.67	2.4	8.23
-1.5	6.22*	6.22*	9.82*	9.82*	8.86	5.49	5.7	3.66	4.16	2.71	3.99	2.61	7.74
-3	10.59*	10.59*	12.38*	10.69	8.88*	5.56	5.75	3.71			4.76	3.11	6.88
-4.5			9.38*	9.38*	6.84*	5.81					5.20*	4.4	5.51

Feet

Unit : 1,000 lb

A(ft) \ B(ft)	5		10		15		20		25		Max. Reach		A(ft)
25							10.26*	10.16			8.92*	8.92*	20.33
20							10.61*	10.16			8.29*	7.16	23.97
15							11.61*	9.77	10	6.75	8.16*	6.01	26.21
10					17.02*	14.07	13.20*	9.19	9.73	6.51	8.18	5.43	27.39
5					20.17*	12.89	13.17	8.62	9.44	6.23	7.92	5.21	27.64
0			12.56*	12.56*	19.73	12.26	12.73	8.23	9.22	6.03	8.09	5.3	26.99
-5	13.71*	13.71*	21.66*	21.66*	19.54	12.1	12.56	8.07	9.17	5.98	8.8	5.75	25.38
-10	23.34*	23.34*	27.29*	23.57	19.58*	12.26	12.67	8.17			10.49	6.86	22.59
-15			20.68*	20.68*	15.09*	12.81					11.46*	9.71	18.07

1. Load point is the end of the arm.
2. Capacities marked with an asterisk (*) are limited by hydraulic capacities.
3. Lift capacities shown do not exceed 75% of minimum tipping loads or 87% of hydraulic capacities.
4. The least stable position is over the side.
5. Lift capacities apply only to the machine as originally manufactured and normally equipped by the manufacturer.
6. Lift capacities are in compliance with iso 10567.

: Rating Over Front
 : Rating Over Side or 360 Degree

OPTION

Metric

Boom : 5,700m (18'7") Arm : 2,900m (9'5") Shoe : 800 mm (2'6") Counterweight : 3,840kg (8,466 lb) LC track Unit : 1,000kg

A(m) \ B(m)	1.5		3		4.5		6		7.5		Max. Reach		A(m)
7.5							4.66*	4.66*			4.05*	4.05*	6.20
6							4.81*	4.81*			3.76*	3.53	7.31
4.5							5.27*	4.81	4.85*	3.33	3.70*	2.97	7.99
3					7.72*	7	5.99*	4.54	4.98	3.22	3.80*	2.69	8.35
1.5					9.15*	6.45	6.71*	4.28	4.85	3.09	4.05*	2.59	8.42
0			5.70*	5.70*	9.83*	6.15	6.61	4.1	4.74	3	4.15	2.63	8.23
-1.5	6.22*	6.22*	9.82*	9.82*	9.74*	6.08	6.53	4.03	4.72	2.98	4.52	2.86	7.74
-3	10.59*	10.59*	12.38*	12.09	8.88*	6.16	6.58*	4.07			5.38*	3.41	6.88
-4.5			9.38*	9.38*	6.84*	6.41					5.20*	4.83	5.51

Feet

Unit : 1,000 lb

A(ft) \ B(ft)	5		10		15		20		25		Max. Reach		A(ft)
25							10.26*	10.26*			8.92*	8.92*	20.33
20							10.61*	10.61*			8.29*	7.78	23.97
15							11.61*	10.61	10.70*	7.34	8.16*	6.55	26.21
10					17.02*	15.43	13.20*	10.02	10.99	7.09	8.37*	5.94	27.39
5					20.17*	14.22	14.79*	9.44	10.68	6.82	8.92*	5.71	27.64
0			12.56*	12.56*	21.68*	13.57	12.73	9.04	10.46	6.61	9.15	5.81	26.99
-5	13.71*	13.71*	21.66*	21.66*	21.47*	13.4	14.57	8.88	10.4	6.56	9.97	6.31	25.38
-10	23.34*	23.34*	27.29*	26.64	19.58*	13.57	14.51*	8.98			11.85*	7.52	22.59
-15			20.68*	20.68*	15.09*	14.13					11.46*	10.64	18.07

1. Load point is the end of the arm.
2. Capacities marked with an asterisk (*) are limited by hydraulic capacities.
3. Lift capacities shown do not exceed 75% of minimum tipping loads or 87% of hydraulic capacities.
4. The least stable position is over the side.
5. Lift capacities apply only to the machine as originally manufactured and normally equipped by the manufacturer.
6. Lift capacities are in compliance with iso 10567.

: Rating Over Front
 : Rating Over Side or 360 Degree

STANDARD & OPTION

STANDARD EQUIPMENT

Front

- 5.7 m Heavy Duty Boom
- 2.9 m Heavy Duty Arm

Hydraulic system

- Boom and Arm flow regeneration
- Boom and Arm holding valves
- Swing anti-rebound valves

Cabin & Interior

- Viscous cab mounts
- E/G RPM control dial
- Serial communication port for laptop PC interface
- Cup holder
- Seat belt
- 12V spare power socket
- Room light
- All weather sound suppressed type CAB.
- 8' Gauge panel (Touch)

Safety

- Handrail and step
- Safety glass
- Hammer for emergency escape
- Battery protector cover

Others

- Double element air cleaner with two stage filtration
- Dry type pre air cleaner
- Two stage water separator
- Fuel filter
- Engine overheat prevention system
- Engine restart prevention system
- Self-diagnostic system
- Alternator (24 V, 60 A)
- Electric horn
- Working lights (1 boom mounted, 1 storage box mounted)
- Hydraulic track adjuster
- Track guards
- Greased and sealed track link
- Hydraulic oil tank air breather filter
- Mechanical type Suspension Seat
- Fuel filler pump
- Air Conditioner and Heater

OPTIONAL EQUIPMENT

Some of optional equipments may be standard in some markets. You must check with the local DEVELON dealer to know about the availability or to release the adaptation following the needs of the applications.

Arm

- 2.4 m Mass Excavation Arm

Bucket

- 0.92 m³ General Duty Bucket
- 1.05 m³ General Duty Bucket
- 0.92 m³ H Class Bucket
- 1.08 m³ H Class Bucket
- 1.2m³ H Class Bucket
- 1.4 m³ H Class Bucket
- 0.92 m³ H Class Bucket_Flat
- 1.17 m³ H Class Bucket_Flat

Auxiliary hydraulic

- One-way for Hammer
- Hydraulic Filter for One-way return line

Undercarriage

- Long & Fixed Track
- Standard & Fixed Track
- Undercover for Track Frame
- 600 mm / 700 mm / 800 mm Triple Grouser Shoe

Cabin sub group

- Upper and Lower Guard
- Side Mirror
- 2 Working lamp
- Wiper
- MP3 Radio
- DEVELON Fleet Management

DEVELON HB Breaker HB series Breaker is designed for mainly focusing on breaking job. DEVELON's focus is to optimize impact power, enhance durability, satisfy customer convenience and maintain easily in order to be faithful to the original function of hydraulic breaker.



* Housing / Top / Side type bracket are available

Technical Specification

Model	Weight (kg)	Tool dia. (mm)	Oil Flow (l/min)	Operating Pressure (kg/cm ²)	Frequency (bpm)
HB20	1,693 / 1,862 / 1,669	135	130 ~ 150	160 ~ 200	400 ~ 800